

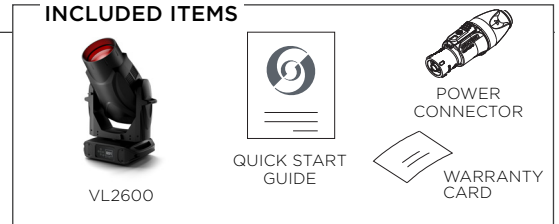
# VL2600 PROFILE, SPOT, WASH

## OVERVIEW

This document provides basic setup instructions and safety warnings for the following product(s):

VL2600 Profile	<b>88-105-7270-00</b>
VL2600 Spot	<b>88-105-6950-00</b>
VL2600 Wash	<b>88-105-7340-00</b>

### INCLUDED ITEMS

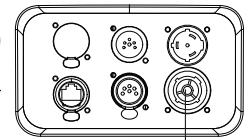


## INSTALLATION AND SETUP

### CONNECTING POWER

This fixture requires standard AC power distribution from 100VAC-240 VAC, 50/60 Hz. Current required depends on the AC supply voltage and product model.

**NOTE:** The mating Neutrik® powerCON® True1 connector is supplied; however, you will need to purchase or construct a cable appropriate for your application.



Depending on the application, the luminaire's AC input cable may require a different connector. If required, install a new connector meeting your requirements using the following wire color code reference:

AC power input

WIRE*	CONNECTION
Green/yellow	AC ground
Blue	AC neutral
Brown	AC line

\* International (Harmonized) Standard

**WARNING:** DO NOT connect to three-phase service in countries with 240V power.

For single-phase power at 240 volts RMS:



CONNECTION	PIN
AC neutral	X
AC line	Y
Ground (earth)	G

For three-phase power at 200 volts RMS:

CONNECTION	PIN
Phase 1	X
Phase 2	Y
Ground (earth)	G

## CURRENT VERSUS VOLTAGE

TABLE 1 provides the luminaire's current draw at specific voltages. Total luminaire current is calculated with the lamp on and all motors sequencing.

### CONNECTING DATA

A maximum of 32 luminaires may be connected in any one DMX data link.

**NOTE:** This maximum limit applies to the luminaire "daisy chain" only. Your system or console may require fewer luminaires on a single data link path. Consult your console documentation for more information.

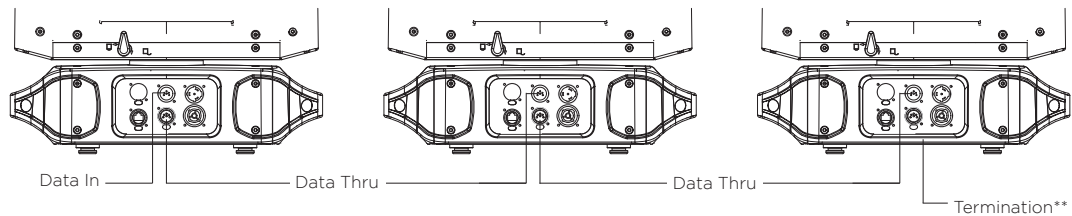
TABLE 1. CURRENT VS. VOLTAGE (550W LAMP)

AC VOLTAGE AT 60HZ	TOTAL LUMINAIRE CURRENT (MOTOR + LAMP CURRENT)		
	PROFILE	SPOT	WASH
100V	7.8A	7.5A	7.1A
110V	7.0A	6.7A	6.3A
120V	6.4A	6.1A	5.8A
130V	5.9A	5.6A	5.3A
200V	3.8A	3.6A	3.4A
210V	3.6A	3.5A	3.3A
220V	3.4A	3.3A	3.1A
230V	3.3A	3.2A	3.0A
240V	3.2A	3.1A	2.9A

# VL2600 PROFILE, SPOT, WASH

**To connect power and data:**

- Step 1. Connect data cable from console to first luminaire in chain at DATA IN connector.
- Step 2. If required, connect additional data cables from DATA THRU connectors to DATA IN connectors of remaining luminaires in link.
- Step 3. At last luminaire in link, install male termination connector at DATA THRU connector. (Luminaires and other devices on the same DMX chain may not function properly without termination.)



VL2600 Profile/Spot/Wash Luminaire Channel Requirements*		
DMX512 Channels	Description	Menu Display
23 Channels	16-Bit Mode(default)	16

\*\*DMX terminator required for last fixture on DMX line.

- Step 4. Connect AC Input Cable connector to power input source.
- Step 5. Dress AC input and data cables and secure them so that they will not interfere with luminaire head and yoke movement.

**FLOOR MOUNTING**

All luminaires included in this manual are designed to sit directly on its base in a floor installation application. When used in this type of application, be sure to leave enough space around the luminaire to allow proper, uninterrupted airflow for cooling and movement.

**HANGING THE FIXTURE**

The VL2600 Profile, Spot, Wash can be hung horizontally or vertically from any structure designed to work with the type of load created by this moving luminaire. Two mounting truss hooks or other mounting hardware are required. Many compatible truss hooks are available from different manufacturers for your particular needs.

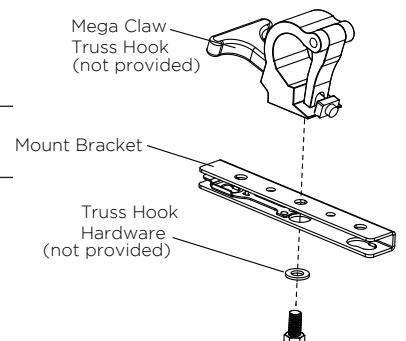
A minimum of two hooks per luminaire is required. If mounting method does not use truss hooks, two attachment points, per luminaire, are required.

**Install mounting hardware and brackets:**

- Step 1. Install truss hooks on two provided truss hook brackets as required as shown.

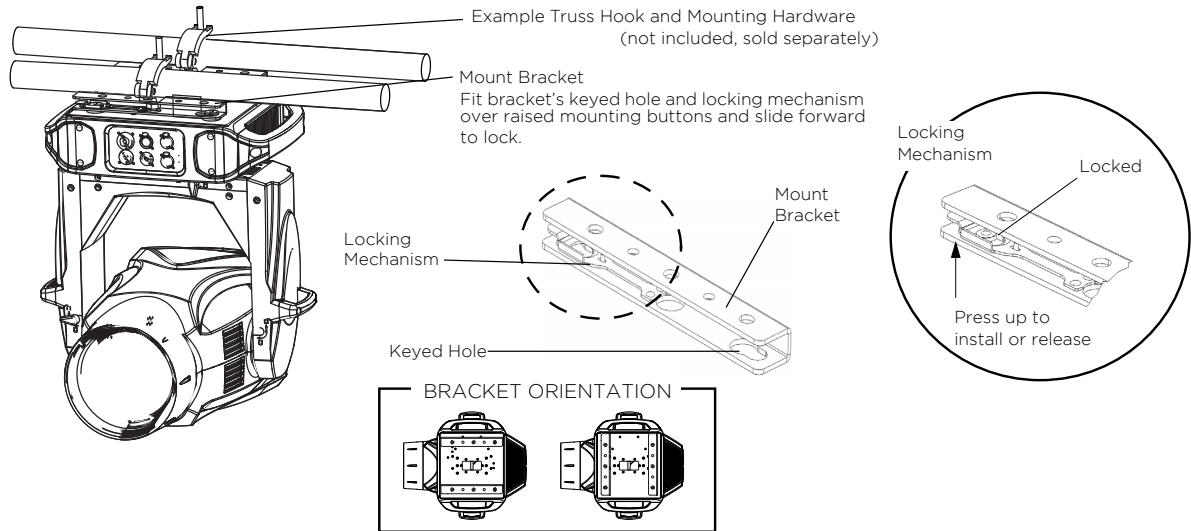
**NOTE:** Various types of truss hooks can be used. The Mega Claw truss hook, as well as many other standard hooks, can be ordered separately.

- Step 2. Determine required configuration of bracket installation. Brackets may be installed in many different orientations as shown.
- Step 3. While pulling up on locking mechanism release, fit keyed holes onto raised mounting buttons at bottom of enclosure. Slide forward and release locking mechanism to lock in place. Ensure brackets are locked securely.



**WARNING:** Ensure that the bracket locking mechanism is fully seated after the bracket is installed on the fixture.

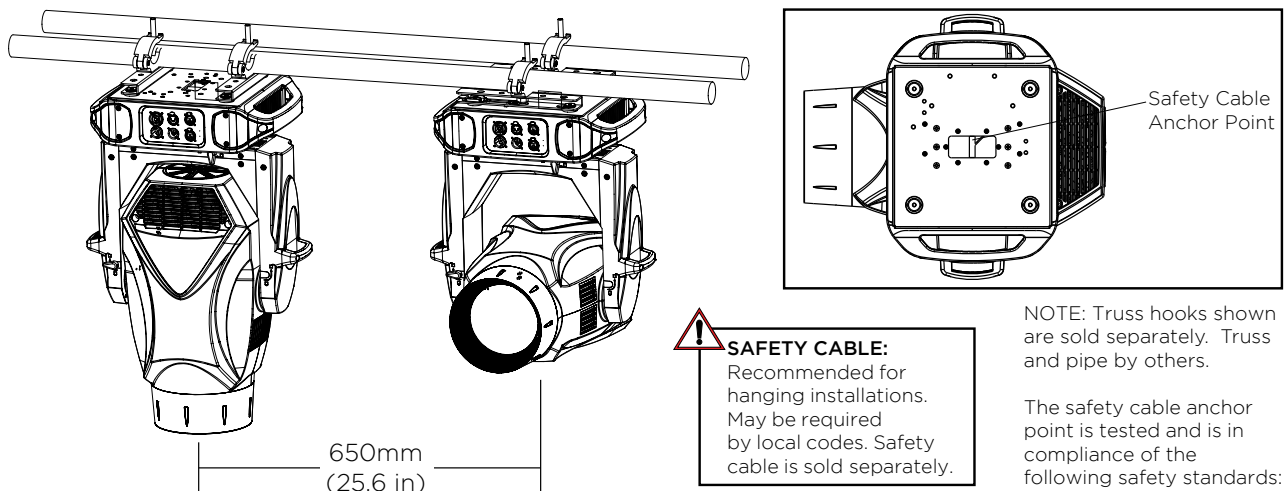
# VL2600 PROFILE, SPOT, WASH



**FIGURE 1. INSTALLING BRACKETS ON LUMINAIRE ENCLOSURE**

### Installing in Truss:

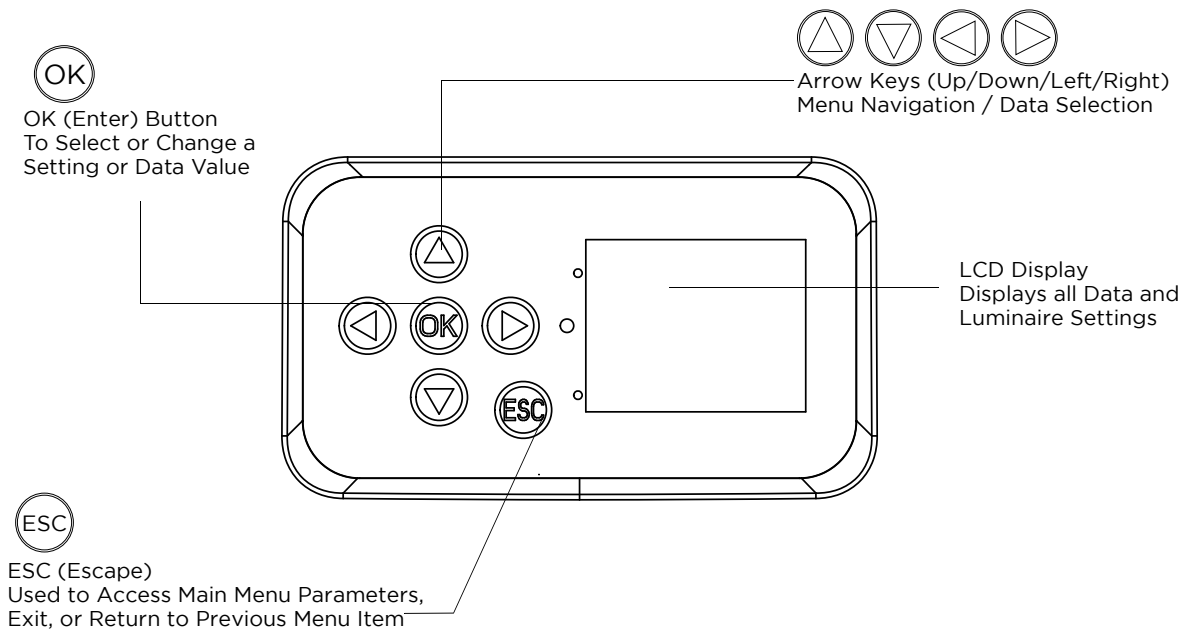
- Step 1. Using two people, lift luminaire into mounting position.
- Step 2. Secure in place with truss hook. Ensure truss hook hardware that locks hook in place (e.g. wing bolt) is properly tightened and that luminaire is fully supported.
- Step 3. Attach safety cable (as required) as follows:
  - a. Loop safety cable at least once around safety cable anchor point rod.
  - b. Loop safety cable at least once around truss/pipe and secure around pipe.
- Step 4. Make sure tilt and pan locks are disengaged so luminaire moves freely.
- Step 5. Connect power and data cables.



# VL2600 PROFILE, SPOT, WASH

## MENU CONTROLS

The menu system is controlled by an OK (Enter), ESC (Escape), and four Arrow (◀▲▼▶) buttons.



## QUICK REFERENCE DMX MAPS

The short form DMX maps are available on the following pages. Visit the product page for the full DMX maps.

### VL2600 PROFILE

- [TABLE 2. 16-BIT ENHANCED - VL2600 PROFILE](#)
- [TABLE 3. 16-BIT - VL2600 PROFILE](#)

### VL2600 SPOT

- [TABLE 4. 16-BIT ENHANCED - VL2600 SPOT](#)
- [TABLE 5. 16-BIT - VL2600 SPOT](#)

### VL2600 WASH

- [TABLE 6. 16-BIT ENHANCED - VL2600 WASH](#)
- [TABLE 7. 16-BIT - VL2600 WASH](#)

# VL2600 PROFILE, SPOT, WASH

**TABLE 2. 16-BIT ENHANCED - VL2600 PROFILE**

DMX CHANNEL	PARAMETER	DMX CHANNEL	PARAMETER	DMX CHANNEL	PARAMETER
1, 2	Intensity	21	Gobo Wheel 2 (Fixed)	36	Frost
3, 4	Pan	22	Gobo Wheel 2 Control	37	Strobe Speed
5, 6	Tilt	23	Iris	38	Strobe Control
7, 8	Focus	24	Frame 1A	39	Programmer Channel
9, 10	Zoom	25	Frame 1B	40	Focus Timing
11	Cyan	26	Frame 2A	41	Optics Timing
12	Yellow	27	Frame 2B	42	Color Timing
13	Magenta	28	Frame 3A	43	Beam Timing
14	CTO	29	Frame 3B	44	Gobo Timing
15	Color Wheel	30	Frame 4A	45	Fan Control
16	Color Wheel Control	31	Frame 4B	46	Optical Style
17	Gobo Wheel 1	32	Frame Rotate	47	Luminaire Control
18, 19	Gobo 1 Rot/Index	33	Triangular Prism		
20	Gobo Wheel 1 Control	34, 35	Prism Index/Rot		

**TABLE 3. 16-BIT - VL2600 PROFILE**

DMX CHANNEL	PARAMETER	DMX CHANNEL	PARAMETER	DMX CHANNEL	PARAMETER
1, 2	Intensity	18, 19	Gobo 1 Rot/Index	31	Frame 4B
3, 4	Pan	20	Gobo Wheel 1 Control	32	Frame Rotate
5, 6	Tilt	21	Gobo Wheel 2 (Fixed)	33	Triangular Prism
7, 8	Focus	22	Gobo Wheel 2 Control	34, 35	Prism Index/Rot
9, 10	Zoom	23	Iris	36	Frost
11	Cyan	24	Frame 1A	37	Strobe Speed
12	Yellow	25	Frame 1B	38	Strobe Control
13	Magenta	26	Frame 2A	39	Programmer Channel
14	CTO	27	Frame 2B	40	Fan Control
15	Color Wheel	28	Frame 3A	41	Optical Style
16	Color Wheel Control	29	Frame 3B	42	Luminaire Control
17	Gobo Wheel 1	30	Frame 4A		

# VL2600 PROFILE, SPOT, WASH

**TABLE 4. 16-BIT ENHANCED - VL2600 SPOT**

DMX CHANNEL	PARAMETER	DMX CHANNEL	PARAMETER	DMX CHANNEL	PARAMETER
1, 2	Intensity	17	Gobo Wheel 1	31	Frost
3, 4	Pan	18, 19	Gobo 1 Rot/Index	32	Strobe Speed
5, 6	Tilt	20	Gobo Wheel 1 Control	33	Strobe Control
7, 8	Focus	21	Gobo Wheel 2	34	Programmer Channel
9, 10	Zoom	22, 23	Gobo 2 Rot/Index	35	Focus Timing
11	Cyan	24	Gobo Wheel 2 Control	36	Optics Timing
12	Yellow	25	Gobo Wheel 3 (Fixed)	37	Color Timing
13	Magenta	26	Gobo Wheel 3 Control	38	Beam Timing
14	CTO	27	Iris	39	Gobo Timing
15	Color Wheel	28	Triangular Prism	40	Fan Control
16	Color Wheel Control	29, 30	Prism Index/Rot	41	Optical Style
				42	Luminaire Control

**TABLE 5. 16-BIT - VL2600 SPOT**

DMX CHANNEL	PARAMETER	DMX CHANNEL	PARAMETER	DMX CHANNEL	PARAMETER
1, 2	Intensity	16	Color Wheel Control	28	Triangular Prism
3, 4	Pan	17	Gobo Wheel 1	29, 30	Prism Index/Rot
5, 6	Tilt	18, 19	Gobo 1 Rot/Index	31	Frost
7, 8	Focus	20	Gobo Wheel 1 Control	32	Strobe Speed
9, 10	Zoom	21	Gobo Wheel 2	33	Strobe Control
11	Cyan	22, 23	Gobo 2 Rot/Index	34	Programmer Channel
12	Yellow	24	Gobo Wheel 2 Control	35	Fan Control
13	Magenta	25	Gobo Wheel 3 Fixed	36	Optical Style
14	CTO	26	Gobo Wheel 3 Control	37	Luminaire Control
15	Color Wheel	27	Iris		

# VL2600 PROFILE, SPOT, WASH

**TABLE 6. 16-BIT ENHANCED - VL2600 WASH**

DMX CHANNEL	PARAMETER	DMX CHANNEL	PARAMETER	DMX CHANNEL	PARAMETER
1, 2	Intensity	15	Frame 1A	25	Strobe Speed
3, 4	Pan	16	Frame 1B	26	Strobe Control
5, 6	Tilt	17	Frame 2A	27	Programmer Channel
7, 8	Focus	18	Frame 2B	28	Focus Timing
9	Cyan	19	Frame 3A	29	Optics Timing
10	Yellow	20	Frame 3B	30	Color Timing
11	Magenta	21	Frame 4A	31	Fan Control
12	CTO	22	Frame 4B	32	Luminaire Control
13	Color Wheel	23	Frame Rotate		
14	Color Wheel Control	24	Frost		

**TABLE 7.16-BIT - VL2600 WASH**

DMX CHANNEL	PARAMETER	DMX CHANNEL	PARAMETER	DMX CHANNEL	PARAMETER
1, 2	Intensity	13	Color Wheel	21	Frame 4A
3, 4	Pan	14	Color Wheel Control	22	Frame 4B
5, 6	Tilt	15	Frame 1A	23	Frame Rotate
7, 8	Focus	16	Frame 1B	24	Frost
9	Cyan	17	Frame 2A	25	Strobe Speed
10	Yellow	18	Frame 2B	26	Strobe Control
11	Magenta	19	Frame 3A	27	Dimmer Mode
12	CTO	20	Frame 3B	28	Fan Control
				29	Luminaire Control

# VL2600 PROFILE, SPOT, WASH

**WARNING:** It is not recommended to power any Vari-Lite fixture from a dimmer - even in 'NONDIM' mode. Dimmer and non-dim modules are not suitable sources of power because their output modifies the AC wave form. This may work for a short time, but will eventually result in power problems, operating errors, and/or fixture failure and may void the warranty.

**WARNING:** It is the responsibility of the user to adequately protect supply source with a correct size and type circuit breaker and not overload circuits.

**WARNING:** This unit has a battery. Replace only with the correct type of battery. Failure to use the correct battery could cause serious damage to the fixture. Dispose of used batteries appropriately.



IEC/TR 62778 NOTICE ON RETINAL BLUE LIGHT HAZARD	
For reference only. Refer to product label for specific warnings for this product.	
Risk Group 1	None
Risk Group 2	CAUTION! Do not stare into beam.
Risk Group 3	WARNING! Do not look into the beam. No direct eye exposure to the beam is permitted.

## SAFETY WARNINGS AND NOTICES

Read this document and the related user manual in full before attempting to install, operate or maintain the fixture to which it relates. This user manual is intended to provide general guidance to such suitably qualified personnel. Installation and operation of the fixture are to be performed by qualified personnel only. When using electrical equipment, basic safety precautions should always be followed including the following:

### READ AND FOLLOW ALL SAFETY INSTRUCTIONS.

- For indoor, dry location use only. Do not use outdoors unless fixture is suitably IP rated.
- Use safety tether when mounting.
- Equipment should be mounted in locations and at heights where it will not be readily subjected to tampering by unauthorized personnel.
- Not for residential use. Do not use this equipment for other than intended use.
- Note distance requirement(s) from combustible materials or illuminated objects. Do not mount near gas or electric heaters.
- Install only in locations with adequate ventilation. Ensure sure that ventilation slots are not blocked.
- Ensure that the voltage and frequency of the power supply match the power requirements of the fixture.
- The fixture must be earthed/grounded to the appropriate conductor.
- Do not operate fixture outside the specified ambient temperature range.
- Do not connect the fixture to any dimmer pack.
- The use of accessory equipment not recommended by the manufacturer may cause an unsafe condition and void warranty.
- Refer service to qualified personnel. This fixture contains no user serviceable parts.
- Prior to first use, carefully inspect fixture to ensure no damage has occurred during shipping.
- Materials used in the manufacturing process can cause strong odors when the product is new. These odors dissipate over time.
- Prior to each use, carefully inspect power cables and replace any damaged cables.
- Exterior surfaces of the luminaire will be hot during operation. Take appropriate precautions.
- Continuous use of the fixture may shorten the lifespan. Power down the fixture when not in use.
- Do not cycle power on and off repeatedly. Disconnect mains power if the fixture is not used for an extended period.
- Clean fixtures regularly, particularly when working in a dusty environment.
- Never touch power cables or wires while the fixture is powered on.
- Avoid entangling power wires with other cables.
- In the event of a serious operating problem, immediately discontinue using the fixture.
- It is hazardous to operate luminaires without lens or shield. Shields, lenses, or ultraviolet screens shall be changed if they have become visibly damaged to such an extent that their effectiveness is impaired, for example, by cracks or deep scratches.
- Original packing materials can be reused for transporting the fixture.
- Do not look directly at the LED light beam while the fixture is on.
- This is a Class A product. In a domestic environment this product may cause radio interference, in which case, the user may be required to take adequate measures.
- The light source contained in this luminaire shall only be replaced by the manufacturer or service agent or similarly qualified person.

### SAVE THESE INSTRUCTIONS.

**WARNING:** Refer to National Electrical Code® and local codes for cable specifications. Failure to use proper cable can result in damage to equipment or danger to personnel.

©2021 Signify Holding. All rights reserved.

All trademarks are owned by Signify Holding or their respective owners. The information provided herein is subject to change, without notice. Signify does not give any representation or warranty as to the accuracy or completeness of the information included herein and shall not be liable for any action in reliance thereon. The information presented in this document is not intended as any commercial offer and does not form part of any quotation or contract, unless

### CUSTOMER SERVICE

If you have any questions regarding this product, please contact Customer Service by phone at +1 214-647-7880 or by email at [entertainment.service@signify.com](mailto:entertainment.service@signify.com).